

## Intelli Vari-Focal Series

### 2094/203D-LPE2

2 Megapixel IP Bullet Camera  
Motorized Varifocal Lens



### Features :

- Resolution: 2MP ( 1920 × 1080 ).
- 5-50mm Motorized Vari-focal Lens.
- Up-to 80 Meters range.
- ICR auto switch, true day / night vision.
- 3D DNR, WDR, HLC, BLC, smart IR.
- H.265+, H.264+ compression - Reduce storage & bandwidth.
- Supports PoE - IEEE802.3af.
- Built-in SD Card Slot supports up-to 256gb.
- Reset Button & local 12Vdc input / output option.
- Vandal Resistant metal casing.
- IP67 Ingress Protection - fully protected against dust and water.
- Support Tripple stream.
- Supports remote monitoring through professional UVSpro Video management Software (VMS).
- Support remote monitoring by smart phones & Tablet for Android & iOS application - iUVS.
- Supports Onvif profile for 3rd party integration.
- STQC Approved, BIS ER Certified.



Vari-focal Lens



WDR



HLC



AI Analytics



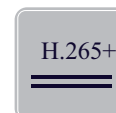
BLC



Light Explorer



Defog / Video Mask & Tamper

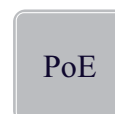


H.265+

H.265+



SD CARD SLOT

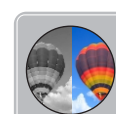


PoE

PoE

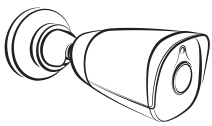


IP67



day & Night





# 2094/203D-LPE2

## 2 Megapixel IP Bullet Camera Motorized Varifocal Lens



### Specifications

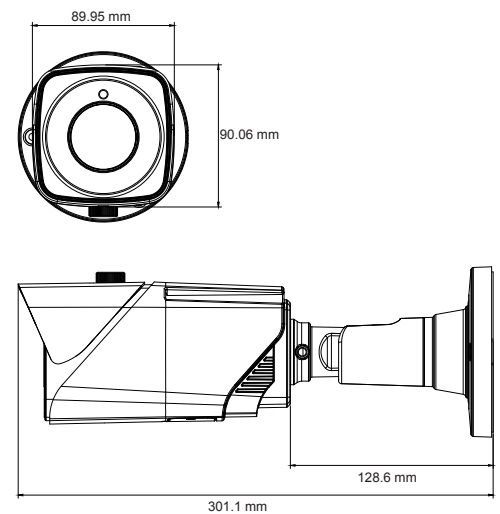
Model	2094/203D-LPE2
Imaging Sensor	1/2.7" Progressive CMOS
Effective Pixels	2MP 1920(H)×1080(V)
Min. Illumination	Color 0.004lux @ F1.2(AGC ON) ; B/W 0 lux @ IR ON
Lens Type	Motorized Varifocal : 5 - 50 mm
Field of View FOV	H :66° to 10°, V:50° to 10°, D:66° to 10°
DORI	D:(60to400)m,O:(35to150)m,R:(20 to100)m,I:(10 to50)m
Viewable Length IR	Up to 80m
Backlight Compensation	Off / On (5 Zone)
Motion Detection	Off/On (8 Level)
Wide Dynamic Range	DWDR
Digital Noise Reduction	3D DNR
Day & Night	IR cut filter with auto switch (Day /Night / Image / Schedule)
White Balance	Auto / Manual
Electronic Shutter Speed	1/5 ~ 1/20000s
On-Board Storage	Micro SD slot, up to 256GB
Alarm	1 input / 1 output
Audio	1 input , 1 output
Hardware Reset	Yes
Smart Feature	ANPR (AUTOMATIC NUMBER PLATE RECOGNITION) , Face Recognition, Pedestrian & Vehicle, Line Crossing, Crossing Counting, Crowd Density , Queue Length, Region Entry / Exit
Smart Alarm	Defog, Video Mask (TAMPER), SD card full, SD card error
General Function	Watermark, IP address filtering, video mask, heartbeat, illegal login lock
Ethernet	RJ45(10/100BASE-T)
Video Compression Format	H.265 / H.264 / H.265+ / H.264+
Stream Resolution	Main Stream : (1920 x 1080), (1280 x 960), (1280 x 720) Sub Stream : (1280 x 720), (640 x 480), (320 x 240) Third Stream : (640 x 480), (320 x 240)
Video Quality Adjustment	256Kbps ~ 8Mbps
Bitrate control method	CBR/VBR
IP	Ipv4
Protocol	TCP/IP,HTTP,DHCP,DNS,DDNS,RTP/RTSP, SMT,NT,HTTPS,FTP
Application Programming Interface	ONVIF (Profile S/G/T/M)
Operating Conditions	-35°~ +60°C / less than 90% RH
Ingress Protection & Tamper	IP67 & IK10
Input Voltage / Current	POE(IEEE802.3af) / D12V
Power Consumption	7.5W
Material	Metal

- Product Manufactured and Made in India
- The manufacturer reserves the right to change product features to deliver technical improvements or comply with new regulations.
- Urmet is a registered trademark of Urmet S.p.A., Via Bologna, 188/C - 10154, Torino, Italy

### AI - 3rd GENERATION

- ANPR / License Plate recognition
- Face detection
- Heat Map / Crowd Density Detection / Queue length detection
- Object Abandon / Object Lost
- Human / VnoitacfiissalC elcihe
- Tripwire / Perimeter / Line Crossing / Loitering / Region Entrance & Exit
- Rare Sound Detection
- Video Tampering

### DIMENSIONS



Video Management Software

iUVS pro



App



Manufactured & Marketed By:  
Alba Urmet Communication And Security Private Limited

285 & 275, Udyog Vihar - IV, Gurgaon - 122001, Haryana, India

www.albaurmet.com

M : sales@albaurmet.com ; T : +91-9625-510-510

**ALBA**  
**urmet**  
Security . IOT . Technology .