



# SKIPPER

Low-voltage, electro-mechanical operator  
with articulated arm for swing gates.  
Residential use.

**NEWS 2006  
available as of  
SEPTEMBER**

Simple and easy to install on any residential gate. Ideal for gates with big pillars. Maximum opening angle 120°.

Complies with the current safety standards as regards obstacle detection and inversion of movement in accordance with EN 12453 and EN12445.

Articulated arm fitted with mechanical limit switch to adjust the stroke and prevent the positioning in negative angle.

Built-in control unit with self-learn programming.



The operators are equipped with mechanical limit-switches to adjust the stroke.

Emergency release positioned on the side of the operator. It can be remotized to allow the release from the outside.

Built-in control unit with self-learn programming and possibility of adjusting the parameters by means of a simple and intuitive menu.

## Technical Data

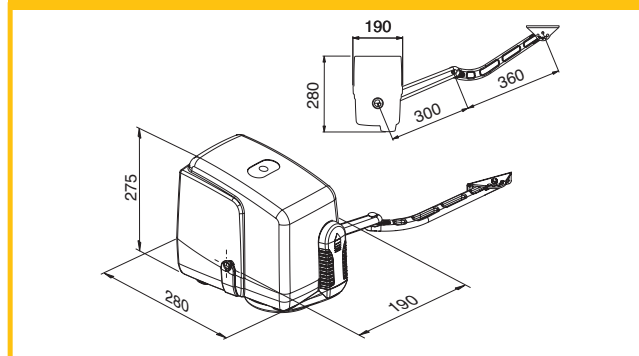
MOTOR POWER SUPPLY	24 V
EQUIPMENT POWER SUPPLY	230 V
CURRENT ABSORPTION	4 A max
POWER ABSORPTION	80 W max each motor
OPERATING TEMPERATURE	-20°/+65° C
MAX. WING LENGTH	2,3 m (without electric lock) 3,0 m (with electric lock)
IRREVERSIBLE	Yes
NUMBER OF DAILY CYCLES	100 max.
MAX. WING OPENING ANGLE	120°
PROTECTION RATING	IP 44

# SKIPPER

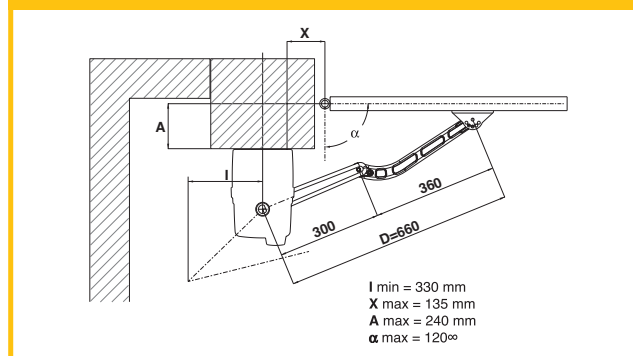


SWING  
GATES

## OPERATOR DIMENSIONS



## OPERATOR POSITIONING



DESCRIPTION	Max wing length	CODE
<b>SKIPPER</b> Electromechanical operator with articulated arm and built-in control unit	2,3 m (without electric lock) 3,0 m (with electric lock)	65346000
<b>SKIPPER SLAVE</b> Electromechanical operator with articulated arm.	2,3 m (without electric lock) 3,0 m (with electric lock)	65347000

DESCRIPTION OF OPTIONAL ACCESSORIES	CODE
TR2 433,92 MHz twin-channel transmitter	62923000
Pair of ER4N photocells	6635100000008
PC12 key push button	6606500000009
CAL Aluminium column for the ER4N photocells	63450000
433,92 MHz antenna	62577000
ES3 electric lock complete with ground striker plate for operators without locks (SF-SR) requires a CL series cylinder	6606400000005
CL1 "DEAD HEAD" single cylinder	6605800010002
CL2 "DEAD HEAD" double cylinder	6605800010001
CS external strongbox	65272000
CSP Wall - mounted external strongbox	65273000

IDEAL INSTALLATION	Q.ty	CODE
Electromechanical operator with articulated arm and built-in control unit	1	65346000
Electromechanical operator with articulated arm	1	65347000
Pair of ER4N photocells	1	6635100000008
Unico 433,92 MHz Memory System radio receiver with antenna included	1	63394000
One TR2 433,92 MHz twin-channel transmitter	1	62923000
ET2N 24V flashing unit	1	64105000

NOTES: for control and safety devices and installation accessories, see section "Electronic devices and installation accessories" in this catalogue (consult the index).